



Product Specification Summary: RAMAN-Filter 1550 nm (single mode)

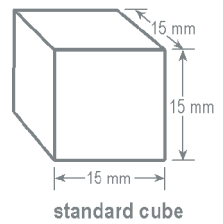
Product Description

- High Isolation Wavelength splitter for demanding applications in Raman- and Fluorescence Spectroscopy
- Utilizes a patented micro-optical packaging technology
- Designed for high reliability based on Telecom Standards (Telcordia)
- Separates Stokes (1650 nm) and Anti-Stokes (1450 nm) into two ports
- Pigtailed with Telecom single mode fiber
- The Raman-Filter comes in a flat package of 19 x 15.5 x 9 mm³

- Product Code: C-1520 (preliminary specification)
- Revision Level: A



Our SENSOR-Cubes sense it right.



Revision History

No.	Description	Date	Created by	Approved by
A	Initial release	15.12.03	Dr. Ralf Lohmann	
B				
C				

Product Specification Summary: RAMAN-Filter 1550 nm (single mode)

General Specifications

Operating Temperature	-10°C to +70°C	
Storage Temperature	-40°C to +85°C	
Max. optical Power	< 250 mW	CW
Package Dimensions	19 x 15.5 x 9 mm ³	
Fiber Type	Corning® SMF-28™	∅ 9 / 125 / 250µm
Fiber Jacket	none	
Fiber Pigtail Length	100 ± 5 cm	
Optical Connectors	none	

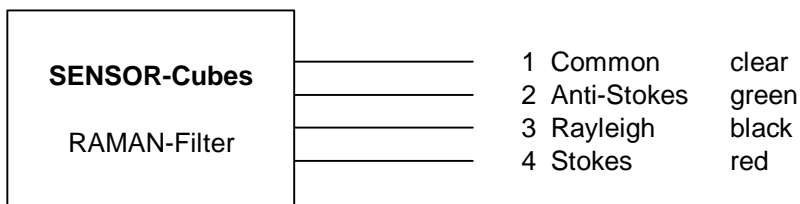
Optical Performance

Center Wavelength (CWL)	Stokes	1650 nm
	Rayleigh	1551 nm
	Anti-Stokes	1450 nm
Channel Passbands	Stokes Band	1650 ± 30 nm
	Rayleigh Band	1551 ± 6.5 nm
	Anti-Stokes Band	1450 ± 30 nm
Insertion Loss ¹	all ports	< 2.5 dB
Isolation	Rayleigh / Stokes	> 60 dB
	Rayleigh / A-Stokes	> 60 dB
	Stokes / A-Stokes	> 30 dB

Notes:

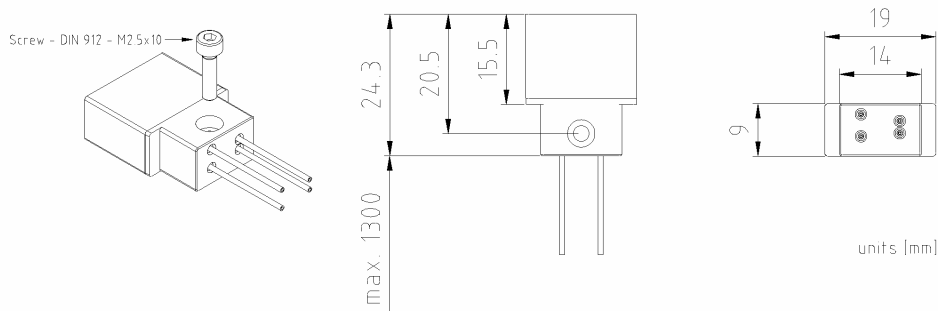
1. Average insertion loss over passband and operating temperature range without optical connectors.

Port Configuration



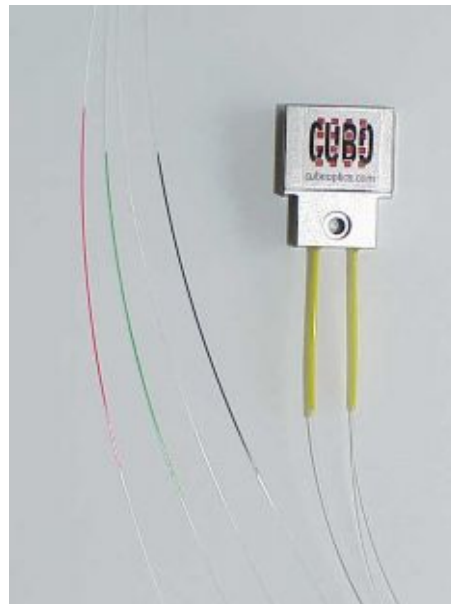
Product Specification Summary: RAMAN-Filter 1550 nm (single mode)

Package Dimensions



The drawing above shows the mechanical dimensions of a Raman-Filter.

For the protection of the bare fiber pigtails the SENSOR-Cubes are provided with a 3 cm loose tube boot on each port as shown in the photo. The bare fiber pigtails are color-coded to simplify the port identification.



Corporate Office:
Cube Optics AG
Robert-Koch-Str. 30
55129 Mainz
Germany

Fon: +49-6131-69851-0
Fax: +49-6131-69851-79

www.cubeoptics.com