

Coarse Wavelength Division Multiplexer – CWDM

> mux or demux, 4 channels



Features

- Devices may be used as multiplexer or demultiplexer
- Upgrade channel, integrated bandsplitters and tap ports available
- Micro-hybrid construction in a sealed metal housing
- Epoxy-free optical path
- Extremely small component dimensions: 19 x 15.5 x 9 mm³, other dimensions on request
- Flexible Location of Fiber Ports, for details see Products page
- Also available as integrated Patch Cord CWDM for flexible system configurations to enable multiplexing without using any board space
- Single mode and multi mode fibers possible, fiber packaging: loose tube or 250 μm coating

Applications

- Combines / separates up to 4 channels with a 20 nm spacing
- Metro Core, Metro Access, Metro Enterprise, Cable TV, 3G Telephony (UMTS), Datacomm, WAN, RFTS, Sensor Applications
- Analog and digital transmission systems

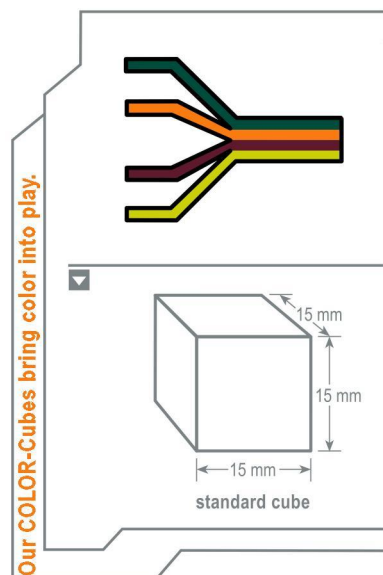
Specifications

Parameters	Coarse Wavelength Division Multiplexer – mux/demux (all values refer to single mode)		
Channels	4, 4+ upgrade		
Center Wavelength [nm]	choice of 4 wavelengths within <u>one</u> band		
Band 1 (red band)	1471 / 1491 / 1511 / 1531 / 1551 / 1571 / 1591 / 1611		
Band 2 (blue band)	1271 / 1291 / 1311 / 1331 / 1351 / 1371 / 1391 / 1411 / 1431 / 1451		
	Upgrade: remaining wavelengths of band other wavelength upon request: please contact CUBO		
Optical Bandwidth	> 13 nm (higher bandwidth on request)		
Insertion Loss *	4 channel CWDM	Standard < 1.9 dB	Premium < 1.7 dB
	4+ upgrade channel CWDM	Standard < 2.0 dB	Premium < 1.8 dB
Isolation **	adjacent channel	> 30 dB	
	non-adjacent channel	> 40 dB	
	Isolation Spectral Range Band 1 (red)	1460-1620 nm	
	Isolation Spectral Range Band 2 (blue)	1260-1460 nm	
Return Loss *	> 45 dB (50 dB typ.)		
Directivity	> 50 dB		
Polarization Dependent Loss	< 0.2 dB		
Max. optical power	250 mW		
Operating Temperature	0°C to 70°C (-40°C to 85°C on request)		
Storage Temperature	-40°C to 85°C (when removed from plastic package)		
Package Dimensions	19 x 15.5 x 9 mm ³		

* With passband, valid over full temperature range and at all states of polarization but without connector losses.

** Valid over full temperature range and at all wavelengths across the channel.

Additional components according to your specifications on request! Please contact Cube Optics for further details.



All information contained herein is believed to be accurate and is subject to change without notice. No responsibility is assumed for its use. Cube Optics AG, its subsidiaries and affiliates, or manufacturer, reserve the right to make changes without notice, to product design, product components and product manufacturing methods. Some specific combinations of options may not be available. Please contact Cube Optics AG for more information.

