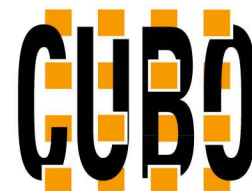


Coarse Wavelength Division Multiplexer – CWDM

> mux or demux, 8 channels, multi mode



Features

- Device works as a multiplexer, demultiplexer or in a bidirectional single fiber link
- Multiplexer and Demultiplexer paired for lowest link loss
- Multi mode fiber GI 62.5 or GI 50
- Micro-hybrid design in a sealed metal housing
- Epoxy free optical path
- RoHS compliant per EU Directive 2002/95EC
- UL 94 V0 flammability rating
- Tested in accordance with Telcordia GR-1209/1221, uncontrolled environment
- Fit for outside plant deployment

Applications

- Combines / separates 8 channels with a 20 nm spacing
- Metro Core, Metro Access, Metro Enterprise, Cable TV, 3G Telephony (UMTS), Datacomm, WAN, RFTS, Sensor Applications
- Analog and digital transmission systems

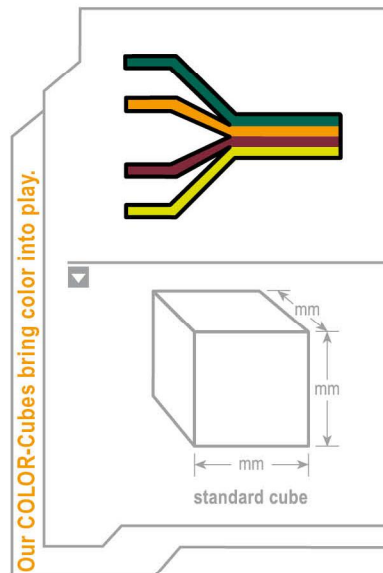
Specifications

Parameters	Coarse Wavelength Division Multiplexer – mux/demux	
Channels	8	
Center Wavelength [nm]	8 out of 10 adjacent channels	
Band 1 (red band)	1471 / 1491 / 1511 / 1531 / 1551 / 1571 / 1591 / 1611	
Band 2 (blue band)	1271 / 1291 / 1311 / 1331 / 1351 / 1371 / 1391 / 1411 / 1431 / 1451	
	other wavelength upon request; please contact CUBO	
Optical Bandwidth	> 13 nm (higher bandwidth on request)	
Insertion Loss *	Standard < 3.2 dB	
Link Loss * for mux – demux pair	Standard > 4.9 dB	
Isolation **	adjacent channel	> 30 dB
	non-adjacent channel	> 40 dB
	Isolation Spectral Range Band 1 (red)	1460-1620 nm
	Isolation Spectral Range Band 2 (blue)	1260-1460 nm
Return Loss *	> 10 dB	
Directivity (for mux)	> 40 dB	
Max. optical power	250 mW	
Operating Temperature	0°C to 70°C (-40°C to 85°C on request)	
Storage Temperature	-40°C to 85°C (when removed from plastic package)	
Package Dimensions	19 x 15.5 x 9 mm ³	

* With passband, valid over full temperature range and at all states of polarization but without connector losses.

** Valid over full temperature range and at all wavelengths across the channel.

Additional components according to your specifications on request! Please contact Cube Optics for further details.



All information contained herein is believed to be accurate and is subject to change without notice. No responsibility is assumed for its use. Cube Optics AG, its subsidiaries and affiliates, or manufacturer, reserve the right to make changes without notice, to product design, product components and product manufacturing methods. Some specific combinations of options may not be available. Please contact Cube Optics AG for more information.

Ordering Information

Indicate your requirements by selecting one option from each configuration table. Please write the corresponding codes in the available boxes to form your part number. For more information on this or other products and their availability, please contact Cube Optics AG at +49-6131-69851-0 or via e.mail at sales@cubeoptics.com, or visit our website at www.cubeoptics.com.

Ordering example: C-80-M-B-S-S-12-3-B-15

C - - - - - - - 1 2 - - -

no. of channels	code	mux or demux code	grade	code	Fiber length	code	Connector in/out	code
8	80	mux	Standard	S	0.5 m	A	none	0
9	90*	demux	Premium	P*	1.0 m	B	SC/PC	1
					0.3 m	T	FC/PC	2
					0.35 m	U	SC/APC**	3
					0.4 m	V	FC/APC**	4
							LC/PC	5
							MU/PC	6
							E2000	7
							E2000/HRL**	8
							ST/PC	9

Center wavelengths [nm]	code
1271 / 1291 / 1311 / 1331 / 1351 / 1371 / _ / _ / 1431 / 1451	A
1471 / 1491 / 1511 / 1531 / 1551 / 1571 / 1591 / 1611	B
1271 / 1291 / 1311 / 1331 / 1351 / 1371 / 1391 / 1411	C
1271 / 1291 / 1311 / 1331 / 1351 / 1371 / _ / 1411 / 1431	D

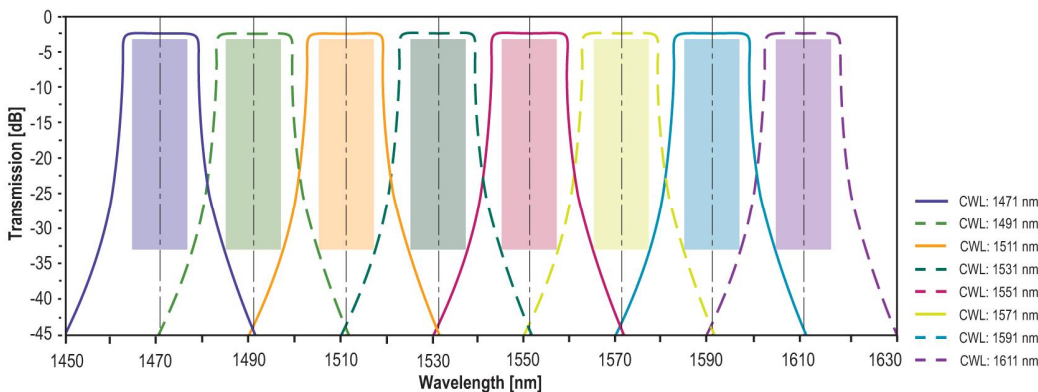
housing	code	fiber type and packaging	code
Standard 8 channel	S	Coming SMF-28™ (9,125,250 μm) 900 μm loose tube	1*
		Coming SMF-28™ (9,125,250 μm) 250 μm coating	2*
		Multi mode fiber GI (50,125,250 μm) 900 μm loose tube	3
		Multi mode fiber GI (50,125,250 μm) 250 μm coating	4
		Multi mode fiber GI (62.5,125,250 μm) 900 μm loose tube	5
		Multi mode fiber GI (62.5,125,250 μm) 250 μm coating	6

in/out put if the device is regarded as demultiplexer connectors only available in combination with loose tube fiber protection	code
** 8° angular polishing	

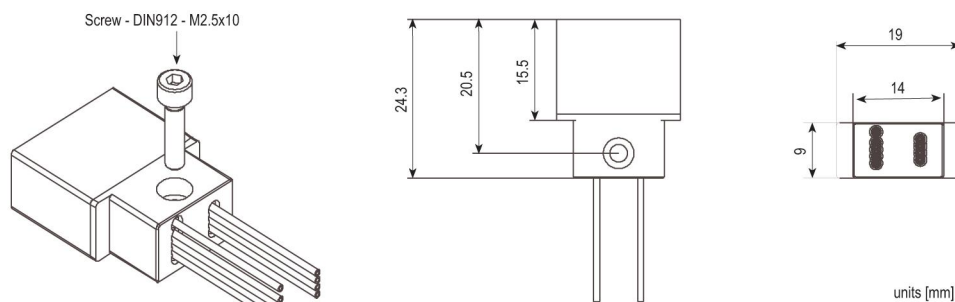
* Configuration is not reflected by this datasheet.

Further configuration on request!

Spectral Performance



Standard 8 channel housing



Corporate Office:
 Cube Optics AG
 Robert-Koch-Strasse 30
 55129 Mainz / Germany

phone: +49-6131-69851-0
 fax: +49-6131-69851-79
 sales@cubeoptics.com
 www.cubeoptics.com