

# Coarse Wavelength Division Multiplexer – CWDM

## > CWDM bandsplitter 10+8 skip 0, hi-iso



### Features

- CWDM bandsplitter to split and combine 18 CWDM channels in two ports
  - Blue Band: 10 channels 1271 – 1451 nm
  - Red Band: 8 channels 1471 – 1611 nm
- High Isolation between red and blue band
- Micro-hybrid design in a sealed metal housing (COLOR-Cubes)
- Epoxy-free optical path, ITU G.694.2 and Telecording GR1221 compliant
- Extremely small component dimensions: 19 x 15.5 x 9 mm<sup>3</sup>, other dimensions on request
- Also available as integrated Patch Cord CWDM for flexible system configurations to enable multiplexing without using any board space
- Single mode and multi mode fibers possible, fiber packaging: loose tube or 250 μm coating
- Packaging on line card or in CWDM sub-system for rack mounting on request

### Applications

- Combines / separates 2 bands of the CWDM channel grid
- Metro Core, Metro Access, Metro Enterprise, Cable TV, 3G Telephony (UMTS), Datacomm, WAN, RFTS, Sensor Applications
- Analog and digital transmission systems

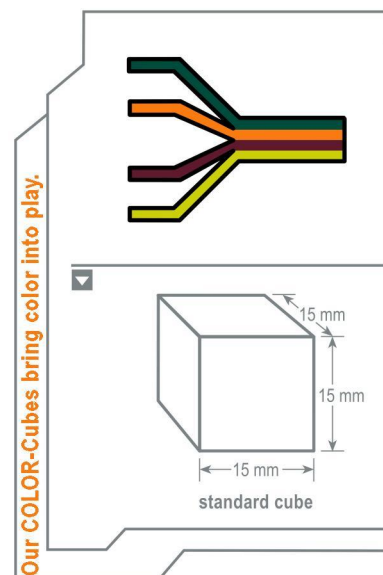
### Specifications

Parameters	Coarse Wavelength Division Multiplexer – 10+8 skip 0 (all values refer to single mode)	
Channels	separation / combination of 2 bands	
Center Wavelength [nm]	Port 1: Red Band	1471 / 1491 / 1511 / 1531 / 1551 / 1571 1591 / 1611
	Port 2: Blue Band	1271 / 1291 / 1311 / 1331 / 1351 / 1371 / 1391 / 1411 / 1431 / 1451
Optical Bandwidth (Channel Width @ 0.5dB)	1271 - 1451 nm	> 13 nm
	1471 - 1531 nm	> 14 nm
	1551 - 1611 nm	> 15 nm
Insertion Loss *	< 1.5 dB	
Isolation **	> 30 dB	
	Isolation Spectral Range	1260-1620 nm
Return Loss *	> 45 dB (50 dB typ.)	
Directivity	> 50 dB	
Polarization Dependent Loss	< 0.2 dB	
Max. optical power	> 250 mW	
Operating Temperature	0°C to 70°C	
Storage Temperature	-40°C to 85°C (when removed from plastic package)	
Package Dimensions	19 x 15.5 x 9 mm <sup>3</sup>	

\* With passband, valid over full temperature range and at all states of polarization but without connector losses.

\*\* Valid over full temperature range and at all wavelengths across the channel.

Additional components according to your specifications on request! Please contact Cube Optics for further details.



All information contained herein is believed to be accurate and is subject to change without notice. No responsibility is assumed for its use. Cube Optics AG, its subsidiaries and affiliates, or manufacturer, reserve the right to make changes without notice, to product design, product components and product manufacturing methods. Some specific combinations of options may not be available. Please contact Cube Optics AG for more information.

