

## PLC Splitter for PON Applications > 1XN

### Features

- 1xN splitter based on planar lightwave circuit (PLC) technology
- Divides single optical input power into multiple optical outputs (power splitter)
- Superior optical performance such as low insertion loss and low polarization dependent loss
- Wide operating wavelength and wide operating temperature
- High reliability and stability, Telecordia GR-1221/1209 compliant
- Compact design, fanout and connectors available
- Premium specifications available upon request

### Applications

- FTTX Deployments
- PON Networks
- CATV Links
- Optical Signal Distribution

### Specifications

#### Parameter

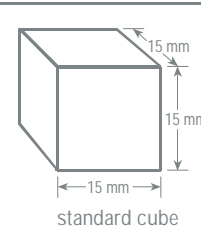
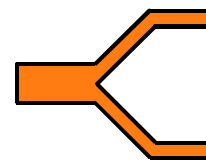
Ports	1x2	1x4	1x6	1x8	1x12	1x16	1x32	1x64	
Operating Wavelength	1260 ~ 1625 nm								
Insertion Loss (at 23 °C) <sup>1)</sup>	Max. 3.5 dB	6.8 dB	9.3 dB	10.1 dB	12.3 dB	13.2 dB	16.7 dB	20.2 dB	
Insertion Loss (-40~85 °C) <sup>2)3)</sup>	Max. 3.7 dB	7.1 dB	9.6 dB	10.4 dB	12.6 dB	13.5 dB	17.0 dB	20.5 dB	
Channel Uniformity	Max. 0.6 dB	0.6 dB	1.0 dB	1.0 dB	1.1 dB	1.1 dB	1.5 dB	1.8 dB	
Polarization Dependent Loss	Max. 0.2 dB	0.2 dB	0.3 dB	0.2 dB	0.3 dB	0.3 dB	0.3 dB	0.3 dB	
Return Loss	>50 dB								
Directivity	>55 dB								
Max. optical Power	300 mW								
Operating Temperature	-40~85 °C								
Storage Temperature	-40~85 °C								
Package Dimensions (WxHxL)									
- Tube (+fan-out)	mm	4x4x40	4x4x40	4x4x40	4x4x40	5x4x45	5x4x45	7x4x60	12x4x60
- Small size box	mm	7x4x60	7x4x60	7x4x60	7x4x60	19x6x100	19x6x100	19x6x100	40x6x120
- Cassette	mm	7x4x70	19x6x100	19x6x100	19x6x100	40x8x120	40x8x120	40x8x120	45x12x130

<sup>1)</sup> Typical value

<sup>2)</sup> Valid over full temperature range and all states of polarization but without connectors losses.

<sup>3)</sup> Premium spec available upon request

Our SPLITTER-Cubes separate your data flow properly.



All information contained herein is believed to be accurate and is subject to change without notice. No responsibility is assumed for its use. Cube Optics AG, its subsidiaries and affiliates, or manufacturer, reserve the right to make changes without notice, to product design, product components and product manufacturing methods. Some specific combinations of options may not be available. Please contact Cube Optics AG for more information.

# PLC Splitter for PON Applications > 1XN

## Ordering Information

CP - [ ] - [ ] - [ ] - [ ] - 0 2 - [ ] - [ ] - [ ] - [ ]

No. of ports	code
1x2	102
1x4	104
1x8	108
1x6	106
1x12	112
1x16	116
1x32	132
1x64	164
2x4	204
2x8	208
2x16	216
2x32	232

Input fiber length	code
0.5 m	A
1.0 m	B
1.5 m	C
2.0 m	D

Grade	code
Standard	S

Housing	code
Tube (+fan-out)	T
Small size box	B
Cassette	C

Output fiber length	code
Box, cassette:	none
0.5m	0A
1.0m	0B
1.5m	0C
2.0m	0D

Connector in/out	code
none	0
SC/PC	1
SC/APC**	3
LC/PC	5
MU/PC	6
E2000	7
E2000/HRL**	8
LC/APC	B

Tube with fan-out:	code
0.5m ribbon / 0.5m 900µm	AA
0.5m ribbon / 1.0m 900 µm	AB
1.0m ribbon / 0.5m 900µm	BA
1.0m ribbon / 1.0m 900µm	BB

Tube, ribbon fiber only:	code
0.5m ribbon	A0
1.0m ribbon	B0
1.5m ribbon	C0
2.0m ribbon	D0

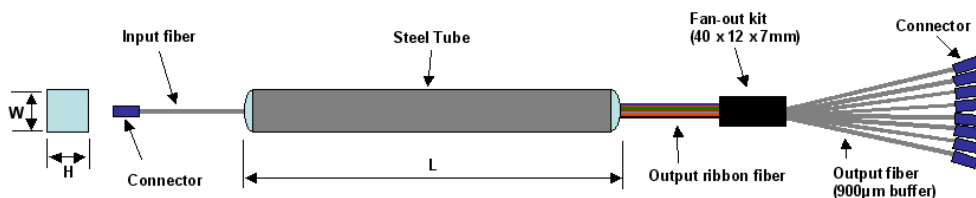
Input fiber type	code
Corning SMF-28™ (9,125,250 µm) 900 µm loose tube	1
Corning SMF-28™ (9,125,250 µm) 250 µm coating	2
Corning SMF-28™ 2.0 mm cable	A

Output fiber type	code
Corning SMF-28™ (9,125,250 µm) 900 µm loose tube	1
Corning SMF-28™ (9,125,250 µm) 250 µm coating	2
Corning SMF-28™ 2.0 mm cable (only for cassette type)	A

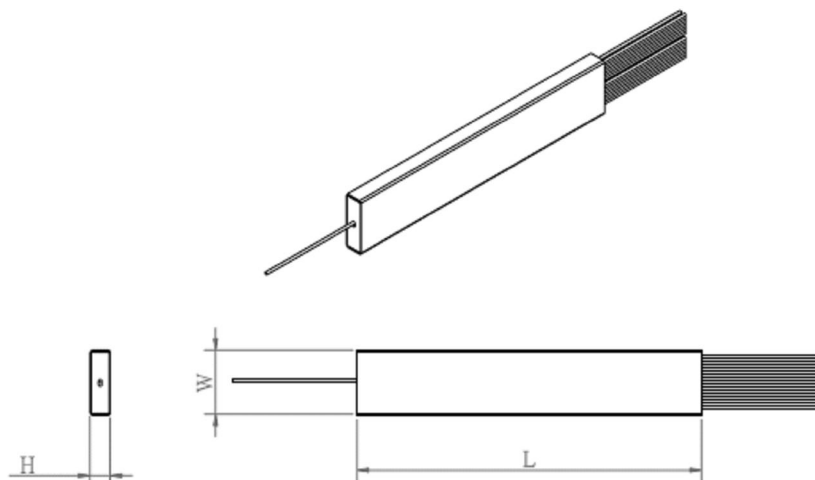
\*\* 8° angular polishing

## Dimensions

### Tube (+ fan-out)



### Small size box, cassette



Corporate Office:  
Cube Optics AG  
Robert-Koch-Strasse 20  
55129 Mainz / Germany

phone: +49-6131-69851-0  
fax: +49-6131-69851-79  
sales@cubeoptics.com  
www.cubeoptics.com