

## Dense Wavelength Division Multiplexer – DWDM

### > mux or demux, 4, 8 or 16 channels, 100 GHz

#### Features

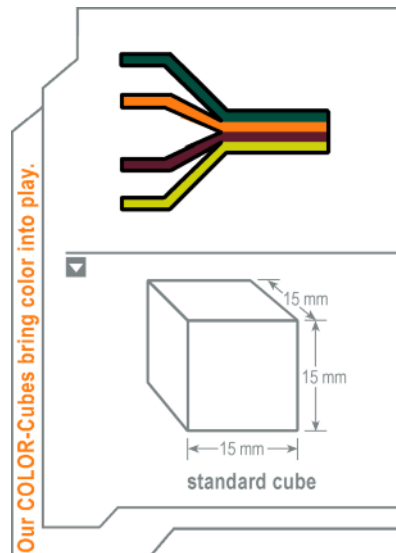
- Low Insertion Loss
- High Channel Isolation
- Epoxy-Free in Optical Path
- Telcordia Compliant
- 4, 8 or 16 Channels Configuration

#### Technical Specifications

Parameter		Unit	Grade "A"				
Channel Spacing		Ch	100 GHz				
Channel Number		Ch	4	8	16		
Central Wavelength ( $\lambda_c$ )		nm	C&L Bands				
Passband		Min. nm	ITU +/- 0.11				
Isolation	Mux	Adjacent Channel	Min. dB	12			
		Non-adjacent	Min. dB	12			
	Demux	Adjacent Channel	Min. dB	25			
		Non-adjacent	Min. dB	40			
Insertion Loss <sup>1</sup>	Mux	Max. dB	1.7	2.9	3.5		
	Demux	Max. dB	2.0	3.2	3.8		
Ripple in Passband		Max. dB	0.5				
Directivity		Min. dB	50				
Polarization Dependent Loss		Max. dB	0.15	0.15	0.15		
Polarization Mode Dispersion		Max. ps	0.20				
Return Loss <sup>2</sup>		Min. dB	45				
Fiber Type			Corning SMF-28 with 900 $\mu$ m buffer				
Fiber Length		Min. m	1.0 +/- 0.1				
Power Handling		Max. mW	300				
Operating Temperature		$^{\circ}$ C	-5 ~70				
Storage Temperature		$^{\circ}$ C	-40 ~ 85				
Package Dimension	Standard			4	8	16	
		Length	Max. mm	120	120	120	
		Width	Max. mm	80	80	80	
	Type 1	Height	Max. mm	8	8	14	
		Length	Max. mm	100	100	100	
		Width	Max. mm	80	80	80	
	Type 2	Height	Max. mm	8	8	14	
		Length	Max. mm	100	100	100	
		Width	Max. mm	60	60	70	
			Height	Max. mm	8	12	14

<sup>1</sup> Max. insertion loss within channel passband over operating temperature range and all states of polarization without optical connectors. Add 0.2 dB for insertion loss including connectors.

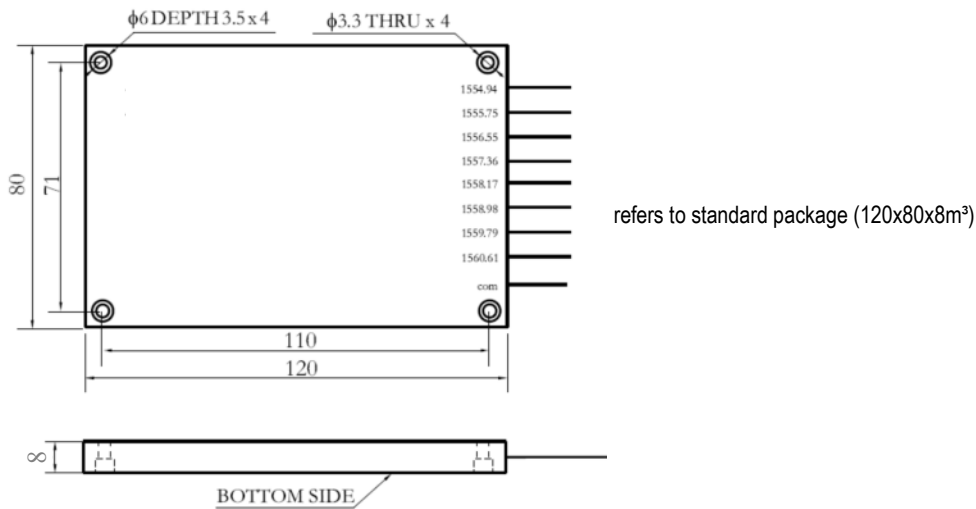
<sup>2</sup> Return Loss without optical connectors.



# Dense Wavelength Division Multiplexer – DWDM

## > mux or demux, 4, 8 or 16 channels, 100 GHz

### Dimension



### Ordering Information

Indicate your requirements by selecting one option from each configuration table. Please write the corresponding codes in the available boxes to form your part number. For more information on this or other products and their availability, please contact Cube Optics AG at +49-6131-69851-0 or via e.mail at sales@cubeoptics.com, or visit our website at www.cubeoptics.com.

#### Ordering example: CUBO-DWDM100-04-21-A-D-S-A-33

CUBO-DWDM100										-	-	-	-	-	-	-	-	-	-
<b>Channel Number</b>		<b>Initial Channel</b>		<b>Mux / Demux</b>			<b>Fiber length</b>			<b>Connector</b>									
04 = 4 channels		21 = 21 <sup>st</sup> channel		M = Mux			A = 0.5 m			(x) common port									
08 = 8 channels		:		D = Demux			B = 1 m			(y) DWDM port									
16 = 16 channels		59 = 59 <sup>th</sup> channel		C = Mux & Demux <sup>1</sup>						Code									
32 = 32 channels																			
<b>Fiber Type</b>				<b>Packaging</b>															
A = 900 μm loose tube				S = Standard															
B = 900 μm tight buffer fiber				1 = Type 1															
C = 2 mm cable				2 = Type 2															
D = 3 mm cable																			

<sup>1</sup> Please specify the function sketch and outline drawing for Mux & Demux integration package when ordering.

#### Corporate Office:

Cube Optics AG  
Robert-Koch-Strasse 30  
55129 Mainz  
Germany

Fon: +49-6131-69851-0  
Fax: +49-6131-69851-79  
e.mail: sales@cubeoptics.com

www.cubeoptics.com