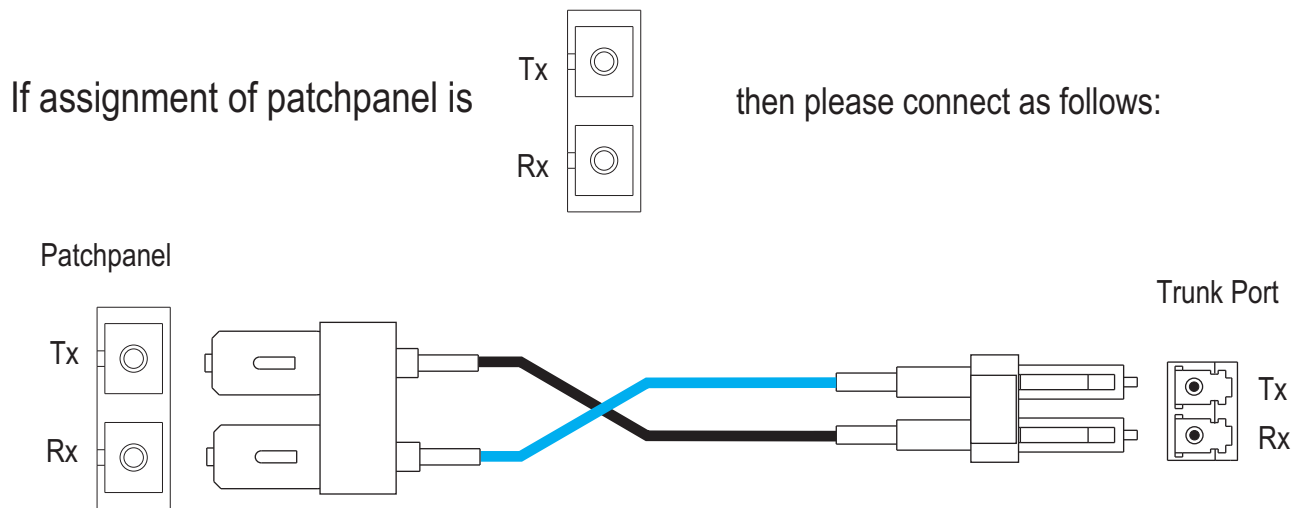
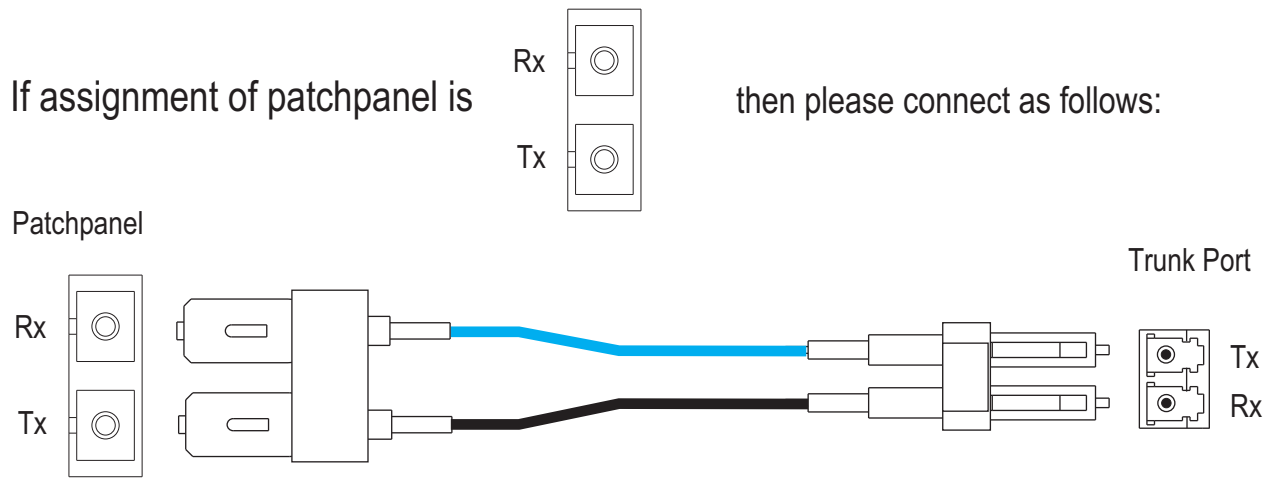
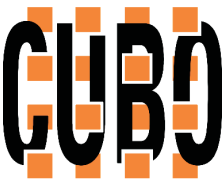


1.) Connecting trunk (SC-LC patchcable)



2.) Connecting CWDM channels (LC-LC patchcable)



	Patching Instructions
	CWDM-4+exp Module
	C-1705 Rev. A